

D I A L

wall faced pan



Manufactured by



3.17.0

1 October 2008

# D I A L

wall faced pan



The Dial wall faced pan is a modern design form that artistically integrates a square aesthetic with smooth curved edges. In addition the pan is completely back to wall making it quick and easy to clean.

Code: HIDL10

### Set-out Details

S - Trap: 110mm

P - Trap: 180mm

### Back Inlet Height

355mm FFL.

### Seat

A heavy grade specially designed Dial seat with chrome plated metal hinges.

Code: HIDLX (If required as a separate item).

### Colour

White only.

### Fixings / Brackets

A pair of PVC floor fixing brackets are also supplied as standard with the suite. These are secured to the floor, which then enables the pan screws to be fixed to the brackets (in most cases these brackets are not required).

### Installation Instructions

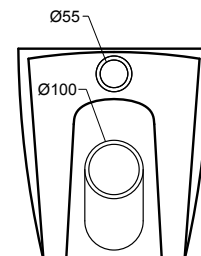
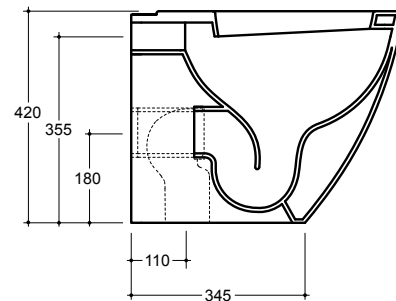
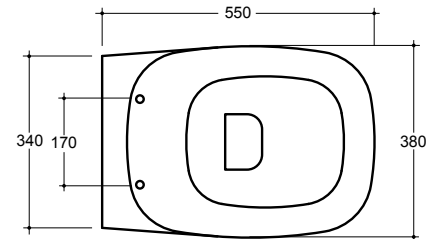
It is recommended that the pan be fixed to the floor using silicone, which enables the pan to be removed in the future for servicing. The pan can also be fixed to the floor with a mortar mix of 3 parts sand to 1 part grey cement. The use of lime, white cement or fast drying cement will void product warranty. When bedded with mortar the base at the rear of the pan should be approx 10mm above the finished floor level. All height dimensions are to the underside of the pan, so an allowance for bedding may be required.

If the pan is being installed without a Geberit cistern the use of a 40mm European Kee Seal will be required (code: ST119668).

### Packing Details

Pan 26 kg, Seat 3 kg.

Supplied in two cartons.



REAR VIEW

Manufactured by

