

D I A L

  
PARISI  
BATHWARE

bench mounted basins



Manufactured by

  
HIDRA  
CERAMICA

2.25.3

1 October, 2008

# DIAL

bench mounted basins



Modern in form, the Dial basin range artistically integrates a square aesthetic with smooth curved edges with the playful element of an offset bowl.

Code Dial 45: HIDL53  
Code Dial 60: HIDL54  
Code Dial 90: HIDL55

### Tap Hole Options

NTH, 1 Tap Hole

### Waste Outlet

40mm standard plug & waste to be ordered separately (see technical data sheets 2.80.0/1 for options).

### Bowl Capacity

Dial 45: 7 litres.  
Dial 60: 10 litres  
Dial 90: 17 litres

### Overflow

N/A.

### Fixings / Brackets

N/A.

### Installation Instructions

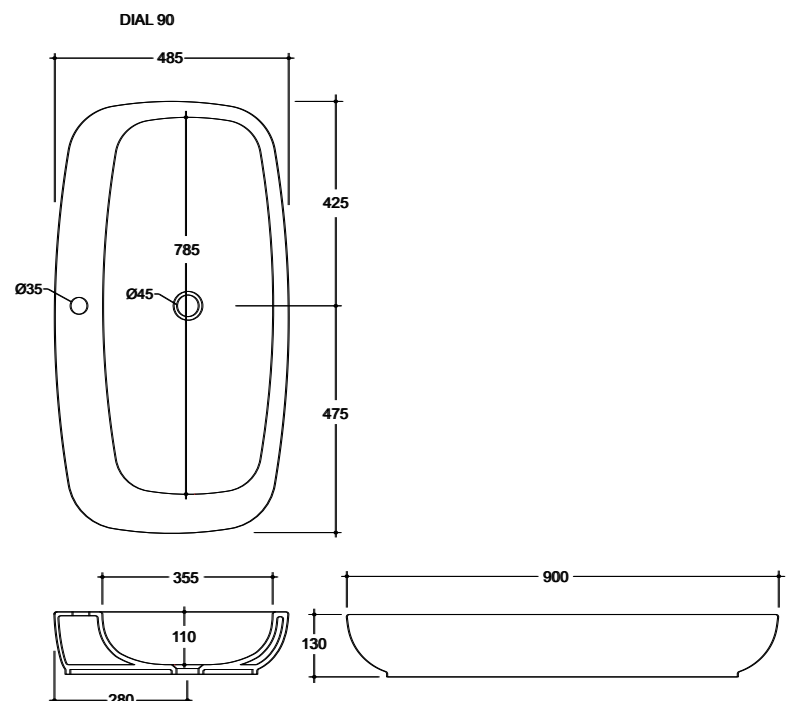
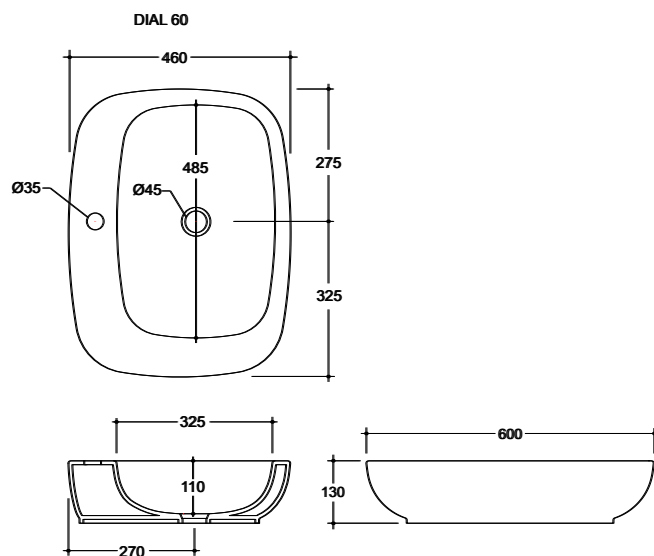
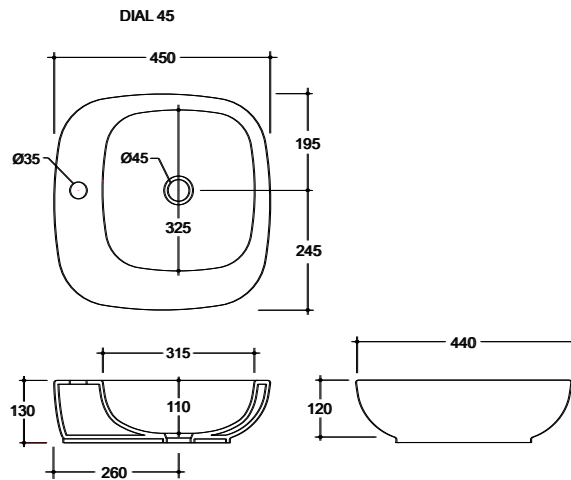
It is recommended that the basin be installed using a flexible sealant, epoxy type glues must not be used, to do so may void product warranty. For ease of cleaning it is suggested that the minimum distance between the wall and the rear of the basin be 50mm.

### Colour

White only.

### Packing Details

Dial 45 - 10 kg.  
Dial 60 - 15 kg.  
Dial 90 - 22 kg.  
Supplied in one carton.



Manufactured by

