

E N V Y M K I I


PARISI
BATHROOMWARE

wall faced suite



Manufactured by

PARISI
BATHROOMWARE

3.00.0

7 May, 2007

wall faced suite



The Envy MKII Toilet Suite combines a rectangular aesthetic with curved edges to provide the perfect balance between style and comfort. This suite is supplied with an easy close seat.

Code: PN100

Set-out Details

S - Trap: 80 - 160mm (using GS0090 Collar adaptor with wall support supplied).

P - Trap: 185mm

Inlet Options

Back inlet only. (Refer to tech Rear View drawing for details.)

Seat

A heavy grade easy close seat with chrome plated metal hinges.

Code: PN5110 (If required as a separate item).

Colour

White only.

Fixings / Brackets

Fixings are provided for connection of the cistern to the pan (the cistern does not fix to the wall). A pair of PVC floor fixing brackets are also supplied as standard with the suite. These are secured to the floor, which then enables the pan screws to be fixed to the brackets (in most cases these brackets are not required).

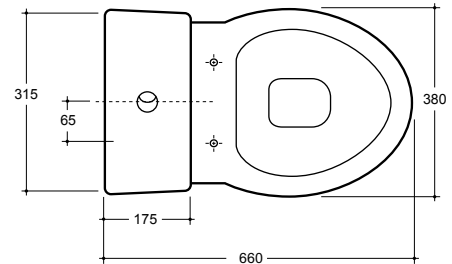
Installation Instructions

The pan can be fixed to the floor with a mortar mix of 3 parts sand to 1 part grey cement. The pan must not be fixed with white cement or fast drying cement. To do so will void product warranty. The pan can also be fixed to the floor with silicone, using the supplied pan brackets.

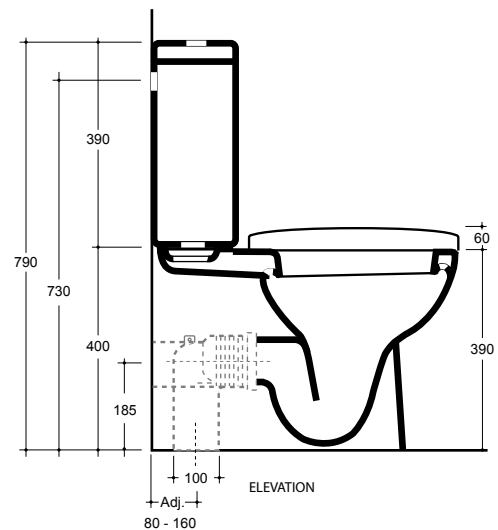
Packing Details

Pan 28kg, Cistern 12kg, Seat 2.5kg.

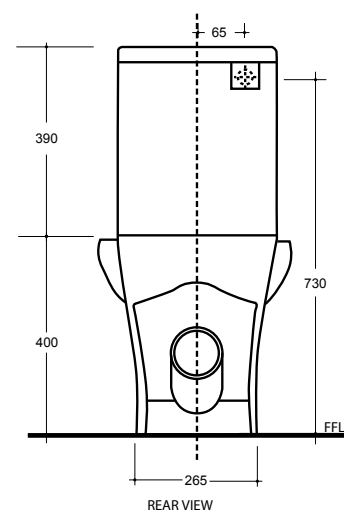
Supplied in two cartons.



PLAN VIEW



ELEVATION



REAR VIEW