

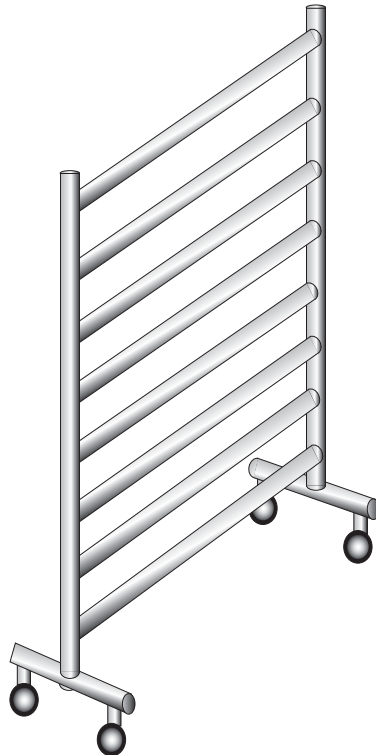


HYDROTHERM
A U S T R A L I A

Technical Specification Guide

M-SERIES

MOBILE TOWEL RAIL



HYDROTHERM AUSTRALIA PTY. LTD.

96 COMMERCIAL DRIVE THOMASTOWN VICTORIA 3074 AUSTRALIA

TEL +61 (0)3 9464 4622 FAX: +61 (0)3 9464 4722 EMAIL: info@hydrotherm.com.au

www.hydrotherm.com.au

MOBILE SERIES

Hydrotherm's Mobile Heated Towel Rails are the perfect unit for drying your towels and clothes in any area of your home.

Not restricted to one wall, the mobile unit comes with a 1.5 metre cord that can be plugged into any 240v/110v power socket.

Available in 2 widths 500 wide or 700wide.

Models

- Electric
- Non-Heated

Finish

- High Polished Chrome

Rungs

- 8 Evenly spaced at 110mm

Height

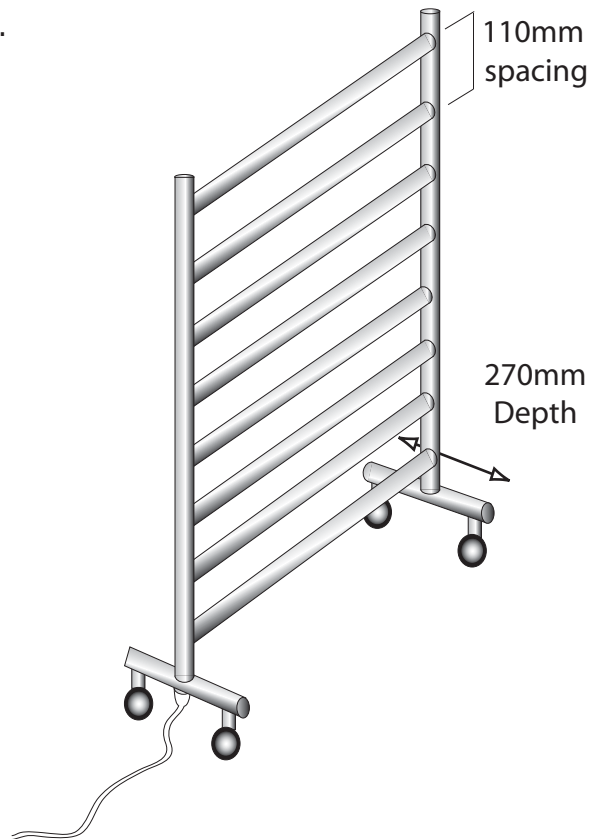
- 1000mm Including Wheels

Power

- 100/150 Watt
- Water Heating Immersion Element
- IP 55 Rating

Available Widths

- 500, 700



Models	Voltage	Watts	Vertical Tube Diametre	Horizontal Tube Diametre	Overall Height	Overall Width Including Cord	Width C/C Vertical Tubes	Depth	Wheels
M - 500	240 / 110	100	25.4mm	19mm	1000mm	525mm	500mm	270mm	4
M - 700	240 / 110	150	25.4mm	19mm	1000mm	725mm	700mm	270mm	4

Manufactured by Hydrotherm Australia , 96 Commercial Drive Thomastown Victoria 3074
 Tel: +61 3 9464 4622 Fax: +61 3 9464 4722 Web: www.hydrotherm.com.au Email: info@hydrotherm.com.au

This appliance is not intended for use by young children or infirm persons without supervision.
 The cord extension set must be positioned so that it is not subject to splashing or ingress of moisture .
 The supply shall have means for disconnection with an air gap in all active conductors incorporated in the fixed wiring according to the Wiring Rules in AS/NZS 3000:2000

