

Q U A S A R


PARISI
BATHROOMWARE

semi recessed basin



Manufactured by 
PARISI
BATHROOMWARE

2.53.1

1 October, 2007

QUASAR

semi recessed basin



A simple rectangular basin featuring curved inside bowl walls and overflow positioned at the front of the bowl. The Quasar semi recessed basin is designed to be used with bench or wall mounted tapware.

Code: VT460

Tap Hole Options

No tap holes

Waste Outlet

32mm overflow plug and waste to be ordered separately (see technical data sheets 2.80.0/1 for options available)

Bowl Capacity

9 litres.

Overflow

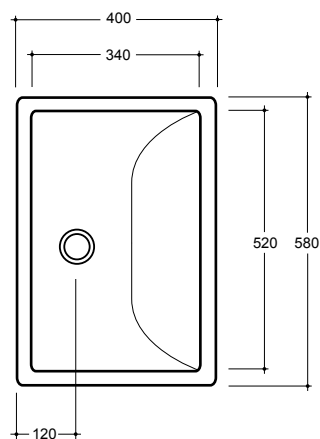
Standard- Positioned at the front of bowl.

Installation Instructions

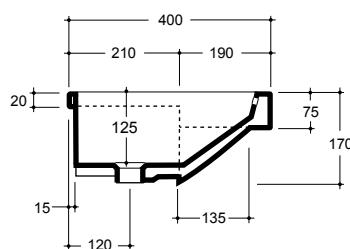
It is recommended that the basin be installed using a flexible sealant, epoxy type glues must not be used, to do so may void product warranty. For ease of cleaning it is suggested that the minimum distance between the wall and the rear of the basin be 50mm.

Colour

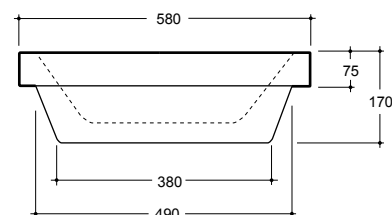
White only.



TOP VIEW



SIDE ELEVATION



FRONT ELEVATION