



PARISI
BATHROOMWARE

SORRENTO

wall faced suite



Manufactured by



PARISI
BATHROOMWARE

3.02.0

5 December, 2007

SORRENTO

wall faced suite
4.5/3 litre Dual Flush



PARISI
BATHROOMWARE



Sorrento is an elegant suite with adjustable and universal trap set-out. The Sorrento can be back or bottom inlet.

Code: PN400 (Back Inlet)

Code: PN410 (Bottom Inlet)

* Available as Bottom Inlet left (Specially made order).

Set-out Details

S - Trap: 80 - 140mm (using GS0090 Collar adaptor with wall support supplied).

P - Trap: 190mm

Inlet Options

Back or bottom inlet (Refer to tech Rear View drawing for details).

Seat

A heavy grade easy close seat with chrome plated, metal hinges.

Code: PN5115 (If required as a separate item).

Colour

White only.

Fixings / Brackets

Fixings are provided for connection of the cistern to the pan (the cistern does not fix to the wall). A pair of PVC floor fixing brackets are also supplied as standard with the suite. These are secured to the floor, which then enables the pan screws to be fixed to the brackets (in most cases these brackets are not required).

Installation Instructions

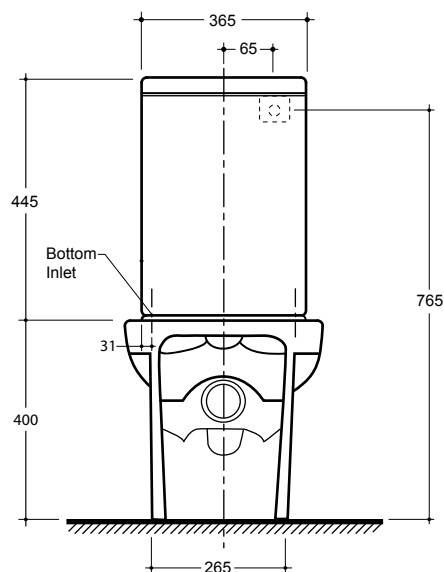
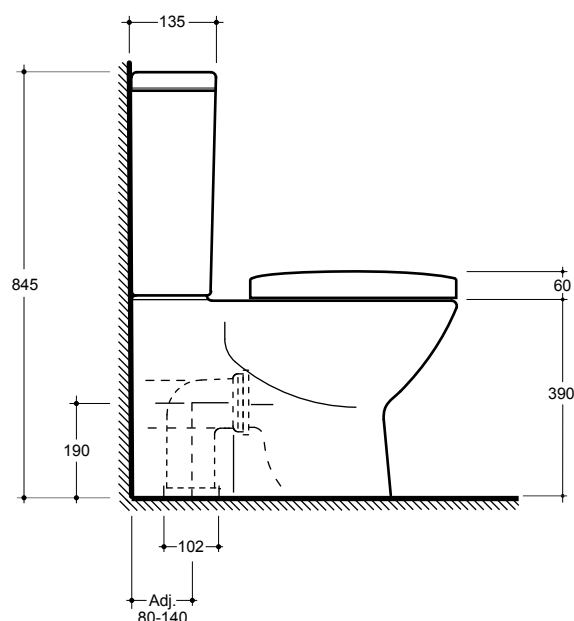
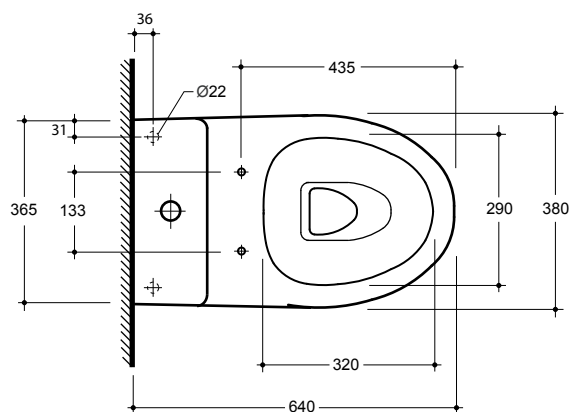
The pan can be fixed to the floor with a mortar mix of 3 parts sand to 1 part grey cement. The pan must not be fixed with lime, white cement or fast drying cement. To do so will void product warranty.

The pan can also be fixed to the floor with silicone, using the supplied pan brackets.

Packing Details

Pan 28kg, Cistern 15kg, Seat 3kg.

Supplied in two cartons.



REAR VIEW



Manufactured by