

**HYDROTHERM**  
T O W E L R A I L S

## TECHNICAL SPECIFICATIONS GUIDE

# TR SERIES & H SERIES

BRACKET DETAIL & INSTALLATION GUIDE  
WIRING INSTRUCTIONS & CHANGING ELEMENTS

Manufactured by Hydrotherm Australia,

96 Commercial Drive Thomastown Victoria 3074

Telephone: +61 3 9464 4622 Facsimile: +61 3 9464 4722

Email: [info@hydrotherm.com.au](mailto:info@hydrotherm.com.au) Web: [www.hydrotherm.com.au](http://www.hydrotherm.com.au)

IPX5



N 15805

This appliance is not intended for use by young children or infirm persons without supervision.

WARNING: Towel Rail must be installed so that the bottom rail is at least 600mm above the floor to avoid a hazard for

CAUTION: THE cord extension set must be positioned so that it is not subject to splashing or ingress of moisture.

The supply shall have means for disconnection with an air gap in all active conductors incorporated in the fixed wiring to the Wiring Rules in AS/NZS 3000:2000



# TR SERIES

Hydrotherm are the leaders in design and manufacturing of heated towel rails. Our exquisite range of products are prepared and finished to suit your individual design specifications. Our proven combination of cutting edge designs and finest quality materials make Hydrotherm heated towel rails the ultimate bathroom accessory.

The TR series perfects simplistic design and practicality. The evenly spaced rails make the TR Series ideal for drying towels. Its generous gaps allow bulky fabrics to be draped over with ease.

## MODELS

- Electric
- Hydronic
- Non-heated

## STYLE OPTIONS

- Straight
- Curved

## FINISHES

- High Polished Chrome
- Satin Chrome Plate
- Dulux Powdercoated Colour

## TUBE DIAMETRE

- Vertical 25mm  $\varnothing$  (1 inch)
- Horizontal 19mm  $\varnothing$  (3/4 inch)

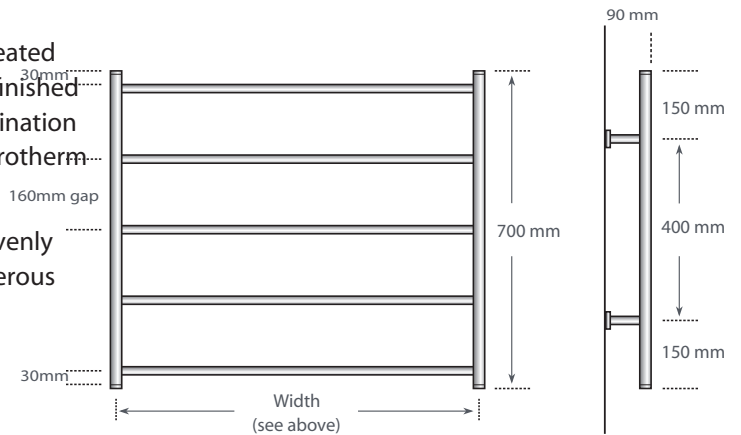
## STANDARD HEIGHTS

- TR1 700mm
- TR2 1020mm
- TR3 1500mm

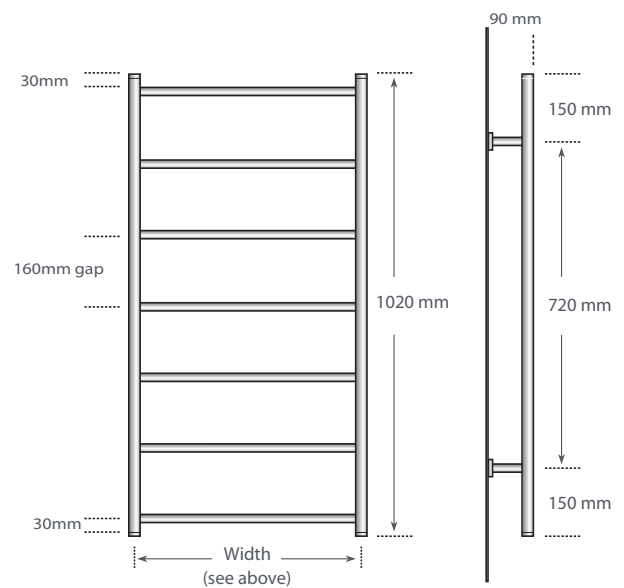
## AVAILABLE WIDTHS

400m, 500, 600, 700, 900, 1000mm

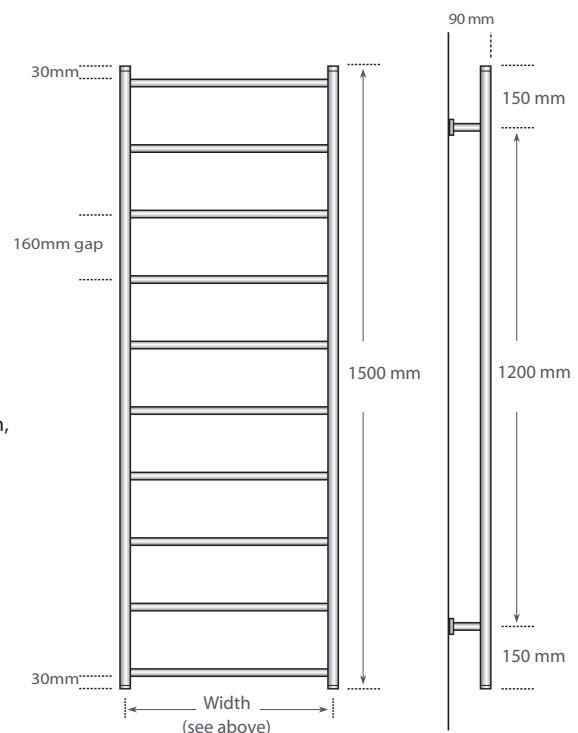
- 1 Widths measured from centre to centre of vertical tube  
Allow an extra 40mm in total when measuring total width of unit mounted.
- 2 Only TR1 available in 1000mm, does not include TR2 or TR3 models.
- 3 Satin Chrome Plate restricted to Maximum 700mm Wide and Max 1020mm High, not available in TR3 model



TR1 MODEL



TR2 MODEL



TR3 MODEL



**HYDROTHERM**  
T O W E L R A I L S



# H SERIES

The H Series combines sleek design and superb functionality. Its additional clustered bars provide enhanced towel warming and drying. H Series models can also be used to deliver ambient bathroom heating (subject to sizing and finish).

## MODELS

- Electric
- Hydronic
- Non-heated

## STYLE OPTIONS

- Straight
- Curved

## FINSHES

- High Polished Chrome
- Satin Chrome Plate
- Dulux Powdercoated Colour

## TUBE DIAMETRE

- Vertical 25mm $\varnothing$  (1 inch)
- Horizontal 19mm $\varnothing$  (3/4 inch)

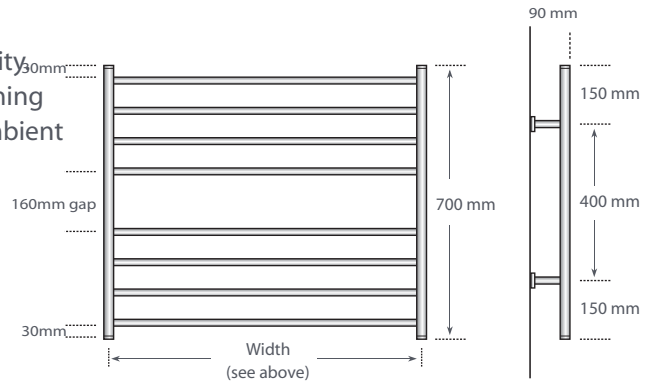
## STANDARD HEIGHTS

- H2 700mm
- H3 1100mm
- H4 1500mm

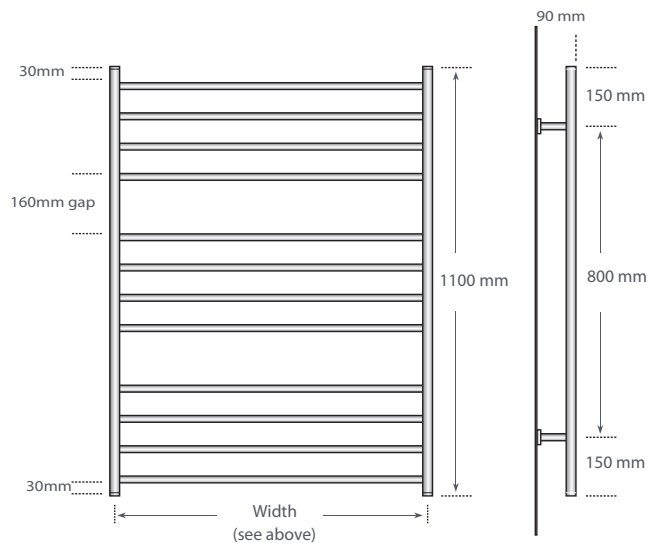
## AVAILABLE WIDTHS

400m, 500, 600, 700, 900, 1000mm

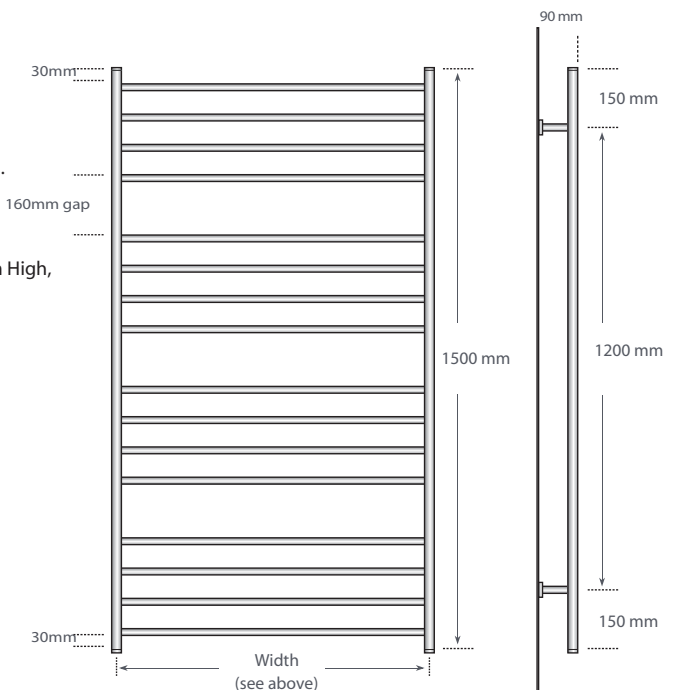
- 1 Widths measured from centre to centre of vertical tube  
Allow an extra 40mm in total when measuring total width of unit mounted.
- 2 Only H2 available in 1000mm, does not include H3 or H4 models.
- 3 Satin Chrome Plate restricted to Maximum 700mm Wide and Max 1100mm High, not available in H4 model



H2 MODEL



H3 MODEL

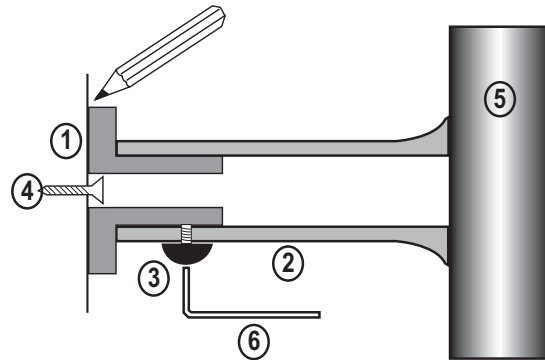


H4 MODEL



# INSTALLING BRACKETS

- Slide the WALL BRACKET ① into the BRACKET ARM ② and hold up to the wall in position.
- With a pencil, outline the WALL BRACKET ① in the desired position and remove from the wall.
- Using a pencil and the WALL BRACKET ①, mark the centre screw hole and cross it for accuracy.
- Drill a hole for the SCREW ④ and insert nylon plug into tiled wall (if applicable). Installer may choose to use alternative screws to suit the application.
- Position WALL BRACKET ① so that the GRUB SCREW hole faces directly down towards the floor and place SCREW ④ into the wall.



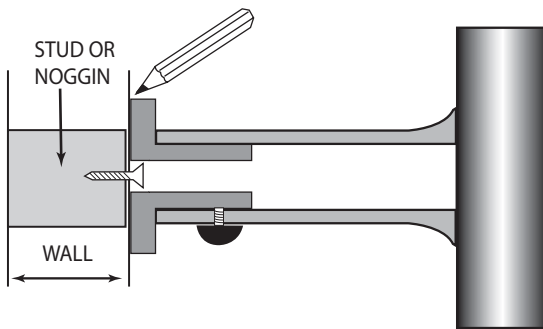
**DO NOT OVERTIGHTEN SCREW - LEAVE SLIGHT ADJUSTMENT OF THE FLANGE (SLACK) TO ENABLE MOVEMENT WHEN THE TOWEL RAIL IS POSITIONED.**

- When all of the WALL BRACKETS ① are in place, slide the TOWEL RAIL ⑤ into position towards the wall, until BRACKET ARM ② reaches the WALL BRACKET ①.
- Insert GRUB SCREW ③ through BRACKET ARM ② and into WALL BRACKET ①.
- With the ALLEN KEY ⑥ provided, tighten the GRUB SCREW until tight to ensure that towel rail stays in position.

- |                |                          |
|----------------|--------------------------|
| ① Wall Bracket | ④ Wall Screw**           |
| ② Bracket Arm  | ⑤ Hydrotherm Towel Rail  |
| ③ Grub Screw   | ⑥ Allen Key & Grub Screw |

\*\*INSTALLER MAY CHOOSE NOT TO USE SCREW IF NOT SUITABLE FOR APPLICATION

**Hydrotherm will not accept responsibility for incorrectly installed brackets.  
Please read instructions carefully.**



Please ensure that the measurements are taken accurately and that the screw is in a stud or noggin to provide support. Do not overtighten screws.

## WARNING

Hydrotherm take pride in the fact that all rails are individually hand made. Due to this fact some measurements may not be exact. PLEASE READ INSTRUCTIONS CAREFULLY and do not force towel rail into bracket if position of wall flange is not accurate.

**TOWEL RAILS MUST ALWAYS BE INSTALLED WITH THE ELEMENT PLACED AT THE BOTTOM FOR CORRECT HEAT TRANSFER**



# WIRING OPTIONS

The Hydrotherm TR & H Series Electric Towel Rails come **pre-filled** with water and with electric element already fitted (standard on the left unless otherwise specified), a plug is supplied separately to be fitted by the installer.

## Plug in version

Plug is supplied with element cable (1500mm long). Cable may be cut and plug attached to required length.

## Hard-wired version

The cable may be hard-wired into the wall with an element attachment. This accessory is an optional extra and must be installed by a qualified electrician.

All hard-wired elements have an IPX Rating of IP55. (IPX5) for use in wet areas. Hydrotherm also recommend all electric towel rails be connected to a timer for convenience and to prolong the life of the element.

## Double hard-wired version

An optional second hard-wire attachment and fitting is available to match the existing single hard-wire attachment.

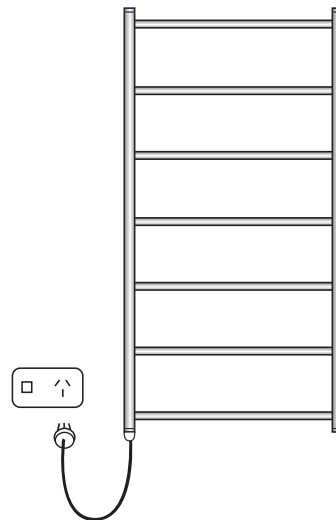
All Hydrotherm Elements carry the following approvals.



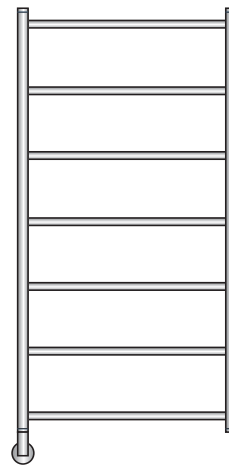
IP55

Elements have a built in thermostat and internal cut out ensuring safety and energy efficiency.

All Hydrotherm electric elements can be supplied as 240v or 110v. All electric elements are replaceable and can be easily changed over.

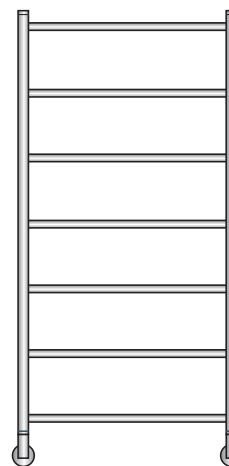
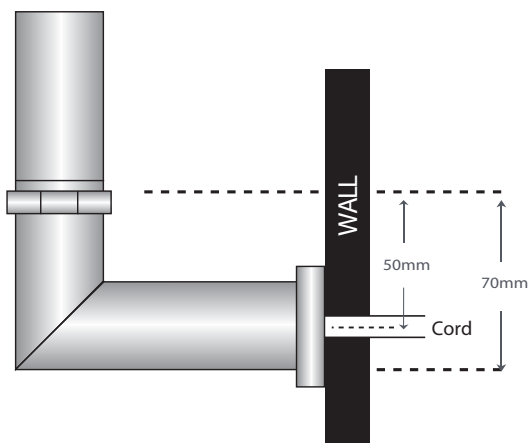


PLUG IN VERSION



HARD-WIRED VERSION

HARD-WIRE ATTACHMENT



DOUBLE HARD-WIRED VERSION



# HARD WIRING

Hydrotherm recommends that all hard-wired heated towel rails be connected to a light switch or digital timer. Connecting hard-wired heated towel rails to a light switch or a timer will prolong the life of the electric and reduce energy consumption.



# CHANGING ELEMENTS

To change an element from one side to the other, or to replace an old element is a very simple process.

## There are Four Basic Steps:

1. Remove towel rail from brackets (if already installed)
2. Turn the towel rail upside down and with a spanner loosen the hex nut of the electric element. When the element is loose, unscrew it by hand. If you are changing the element from left to right (or vice versa) the internal plug on the opposite side must also be removed and swapped over with the element.
3. Swap the element and screw in place.
4. Turn the towel rail the right way up and position back into brackets and refit grub screws to secure

### Please note:

Hydrotherm advise that the unit be removed from the wall and turned upside down to ensure that water does not spill. Ensure element always remains at bottom of towel rail.

