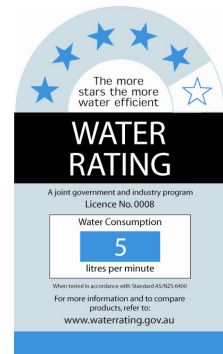
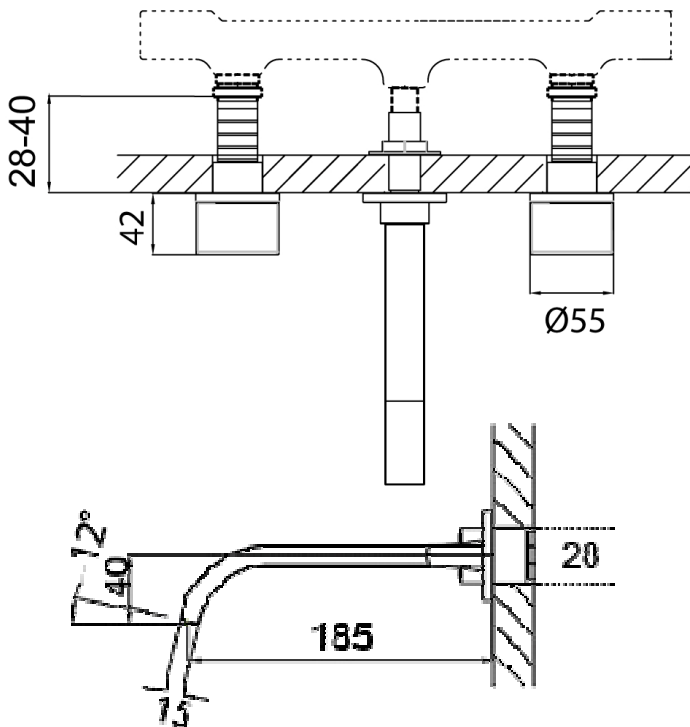




## Vue Basin Set – Wall Mounted



### TECHNICAL SPECIFICATIONS



- Note: In-wall breach or body face must be **no less than 28mm, no deeper than 40mm** behind the finished wall face.
- 1/2" BSP thread **must be** flush with the finished wall.

PRODUCT NO: **108257**, Vue Wall-Mounted Basin Set - 185mm Reach – 5 Star / 5Lpm