

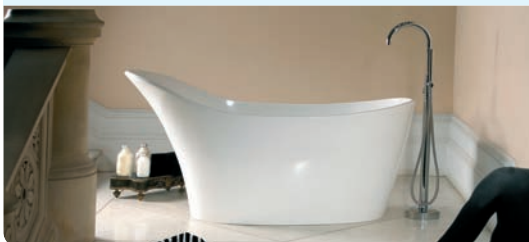
Amalfi

 AML-N-SW Premium

Contemporary slipper bath

- Ultra contemporary freestanding design
- Supplied complete with integral plinth
- Made from QUARRYCAST[®]
 - One piece casting of rare volcanic limestone and resin
 - Harder and more durable than acrylic
- Easy clean high gloss finish
- Exterior can be painted
- 25 year guarantee

Shown with T1 filler



Bath:

- No tap holes

Suitable for freestanding or wall mounted taps -
Recommended for use with optional Lido Grande
freestanding tap stand - LID-N-LG

NB Due to the design of the rim, this bath cannot
be drilled for tap holes. See separate Lido tap stand
sheet for further options

Recommended Waste:

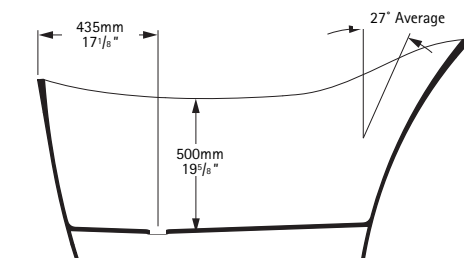
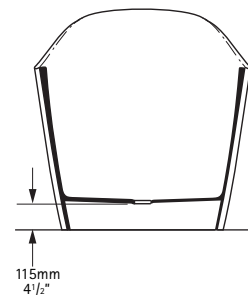
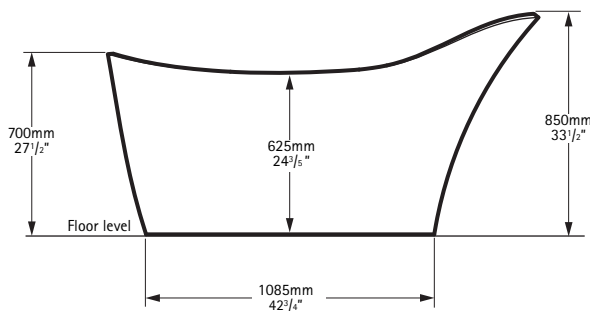
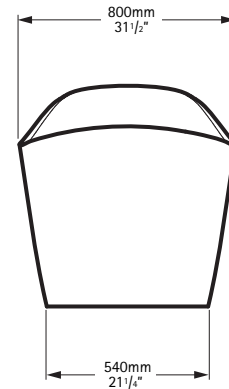
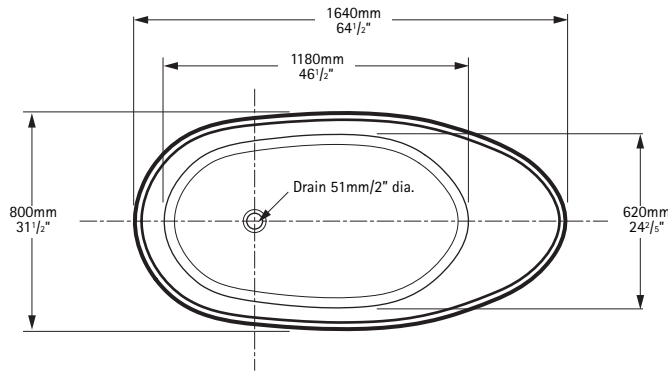
Non-overflow waste kit - captive plug fitting - KIT12C

Note: For product specifications please see over



Amalfi AML-N-SW

Contemporary slipper bath



General specifications for Amalfi bath

Installed size	1640mm x 800mm x 625-850mm
Weight	68kg
Weight with water	308kg
Litres to rim	240 litres
Bathing well at sump	1180mm x 620mm
Water depth to rim	500mm

Notes

Refer to installation instructions supplied with bath for additional information. Fittings (taps & drain assembly) not included and must be ordered separately.

Important

Dimension of fixtures are nominal and may vary within the range of tolerances established by ANSI standard A112.19.4M.

These measurements are subject to change or cancellation.

No responsibility is assumed for use of superseded or void leaflet.