

ios IOS-N-SW


 Premium

Contemporary dual-ended bath

- Ultra contemporary freestanding design
- Big bath luxury in an amazingly compact 1500mm-long package
- Supplied complete with integral plinth
- Made from QUARRYCAST®
 - One piece casting of rare volcanic limestone and resin
 - Harder and more durable than acrylic
- Easy clean high gloss finish
- Exterior can be painted
- 25 year guarantee

A compact master piece



Bath:

- No tap holes
 - Suitable for freestanding or wall mounted taps - Recommended for use with optional Lido Grande freestanding tap stand - LID-N-LG
 - NB** Due to the design of the rim, this bath cannot be drilled for tap holes. See separate Lido tap stand sheet for further options

Recommended Waste:

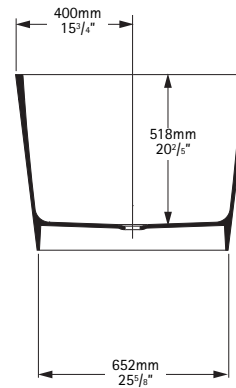
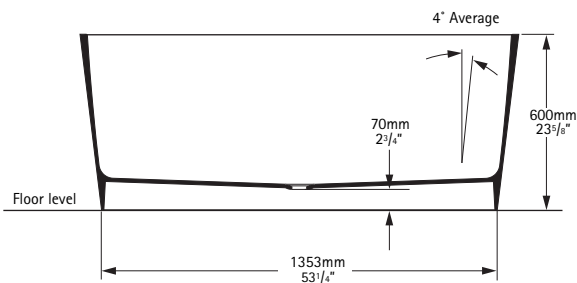
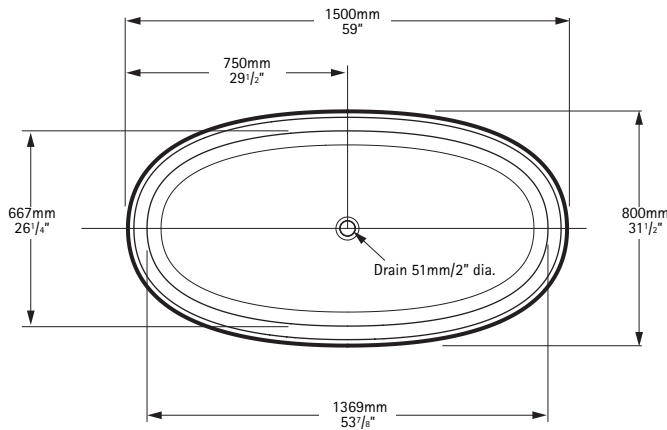
Non-overflow waste kit - captive plug fitting - KIT12C

Note: For product specifications please see over



ios IOS-N-SW

Contemporary dual-ended tub



General specifications for ios tub

Installed size	1500mm x 800mm x 600mm
Weight	68kg
Weight with water	458kg
Litres to rim	390 litres
Bathing well at rim	1450mm x 750mm
Water depth to rim	518mm

Notes

Refer to installation instructions supplied with bath for additional information. Fittings (taps & drain assembly) not included and must be ordered separately.

Important

Dimension of fixtures are nominal and may vary within the range of tolerances established by ANSI standard A112.19.4M.

These measurements are subject to change or cancellation.

No responsibility is assumed for use of superseded or void leaflet.